

# NORTH PENN SCHOOL DISTRICT

Lansdale, PA 19446

## North Penn High School Crawford Stadium Sound System Design and Installation

### Bid Summary

The North Penn School District is hereby soliciting bids to submit bids for: NPHS Crawford Stadium Sound System Design and Installation.

All bids shall be submitted on the enclosed district forms. The sealed bid proposal package should also include:

- A Bid Bond or Certified Check for 10% of the total bid price.
- Completed and notarized Non-Collusion Affidavit.
- Completed and notarized Vendor's Qualification Statement.
- 3 Signed copies (1 original and 2 photocopy)

The North Penn School District is exempt from Pennsylvania state sales tax.

**A MANDATORY PREBID ONSITE VISIT WILL OCCUR ON TUESDAY JUNE 1<sup>ST</sup> 2:30 PM, PLEASE SEE ATTACHMENT A FOR DIRECTIONS TO THE MEETING SITE.**

**Sealed bids** will be accepted for the “NPHS Crawford Stadium Sound System Design and Installation” until June 8, 2021, at 12:30 p.m. Sealed bids must be clearly labeled “NPHS Crawford Stadium Sound System Design and Installation” and delivered to Kristin Johnson at the Educational Services Center, 401 E. Hancock St., Lansdale, PA. The bids will be publicly opened via Zoom Meeting at 1:00 p.m. the same day. Directions to the Zoom meeting will be posted 30 minutes prior to the opening at [www.npenn.org/bidspec](http://www.npenn.org/bidspec).

All questions regarding this bid should be directed to:

Kristin Johnson  
Assistant Director of Business Administration  
401 E. Hancock St.  
Lansdale, PA 19446  
johnsok@npenn.org  
215-853-1015

**North Penn School District**  
Lansdale, Pennsylvania 19446

**General Conditions for Bid**

1. The North Penn School District Board of School Directors invites bidders to submit sealed bids for the furnishing and delivery of **NPHS Crawford Stadium Sound System Design and Installation**.
2. **Bids will be accepted until 12:30 PM on Tuesday, June 8, 2021.** The bids will be **opened at 1:00 PM on June 8, 2021 via Zoom**. Please see NPSD website, [www.npenn.org/bidspec](http://www.npenn.org/bidspec), for Zoom meeting details one hour prior to the bid opening.
3. The bid must be submitted in a sealed envelope and clearly marked on the outside, **“NPHS Crawford Stadium Sound System Design and Installation”**
4. Bids shall be submitted on the enclosed Bid Proposal Form. Bids must be typewritten or written with ink and signed by the individual, partners, or corporate officer.
5. The successful bidder shall bid in strict accordance with the specifications as set forth. **No substitutions or alternates are permitted.**
6. A BID BOND OR CERTIFIED CHECK IN FAVOR OF THE NORTH PENN SCHOOL DISTRICT IN THE AMOUNT OF 10% OF THE TOTAL BID IS REQUIRED FROM EACH BIDDER AND MUST BE ENCLOSED WITH THE BID. THE BOND MUST BE ISSUED BY AN INSURANCE COMPANY.  
Only the bid bonds or certified checks of the successful bidders will be held until all terms of the contract are completed. The bid bonds or certified checks of the unsuccessful bidders will be returned at the time of the awarding of the contract.
7. **Installation must be completed by August 6, 2021. If you cannot meet this requirement, please indicate in the bid the expected completion date.**
8. The North Penn School District reserves the right to reject or accept any or all bids or any portion thereof and to waive any informalities permitted by law. Bids must remain firm for a period of sixty (60) days from the date of bid opening.
9. Bidder shall insert the price per stated unit and the total cost extension against each item in the schedule hereto annexed, which the bidder has proposed to furnish and deliver. The unit price inserted must be net and must include all delivery charges – No Exceptions. In the event of a discrepancy between the unit prices and the total cost extension, the unit price will govern. The total bid is to be the sum of the quantity times the unit price for each item.
10. A purchase order issued by the School District covering any or all items included in this bid shall constitute a contract binding upon the bidder and the School District.
11. No charge will be allowed for federal, state, or municipal sales or excise taxes, for which the school district is exempt by law. The bid price shall be net and shall not include the amount of any such tax. Exemption certificates, if required, will be furnished on forms provided by the bidder.
12. The bidder agrees, if awarded an order, to furnish and deliver the said articles at such time, to such place, and in such quantities as specified, and that all of the articles shall be subject to the inspection and approval of the School District. Acceptance of delivery of materials or equipment to the site shall not constitute final acceptance by the School District. In the event that any articles are rejected as damaged, or not in conformance with these specifications, such articles shall be removed immediately and other articles of proper quality as set forth in these specifications shall be furnished in place thereof, all at the expense of the successful bidder.
13. In the event that the successful bidder should neglect or refuse to furnish or deliver any articles or any part thereof, or to replace any articles which are rejected as stated in the preceding paragraph, then the School District is authorized and empowered to purchase articles in conformity with this order from such party or parties, and in such manner as it shall select, at the expense of the successful bidder, or to cancel the contract reserving to itself, nevertheless, all rights for damages which may be incurred by the School District.
14. Invoicing: Invoices must be submitted for each individual school, completely itemized, and covering each shipment. They should show North Penn School District item numbers, the same as packing slips. No photocopy of a Bid or Purchase Order will be accepted in lieu of an itemized invoice.

General Conditions for Bid

Bid Title: **NPBS Crawford Stadium Sound System Design and Installation** Due Date: **Tuesday, June 8, 2021**

15. **DISCRIMINATION PROHIBITED:** According to Section 755, Public School Code of Pennsylvania, 1949 as amended, the contractor agrees:
- 15.1 That in the hiring of employees for the performance of work under this contract, or any sub-contract hereunder, no contractor, sub- contractor, nor any person acting on behalf of such contractor or sub-contractor, shall, by reason of race, creed or color, discriminate against any citizen who is qualified and available to perform the work to which the employment relates;
  - 15.2 That no contractor, sub-contractor, nor any person on his behalf, shall in any manner discriminate against or intimidate any employee hired for the performance of work under this contract on the account of race, creed or color;
  - 15.3 That there may be deducted from the amount payable to the contractor under this contract, a penalty of five dollars (\$5) for each person for each calendar day during which such person was discriminated against or intimidated, in violation of the provisions of this contract; and,
  - 15.4 That this contract may be canceled or terminated by the School District, and all money due or to become due hereunder may be forfeited, for a second or any subsequent violation of the terms and conditions of the contract.
16. **INSURANCE:** The successful bidder must maintain in full effect the following minimum insurance coverage:
- 16.1 General Liability Insurance – General liability insurance coverages shall be provided by commercial general liability policy on an occurrence basis. The policy date or retroactive date shall predate the contract. The termination date of the policy or applicable extended reporting period shall be no earlier than the termination date of the contract or later if otherwise specified in this request for bid. Such shall be endorsed with a save harmless clause in favor of the North Penn School District, its officers, members, and employees
    - Bodily Injury: \$1,000,000 per occurrence/\$2,000,000 in aggregate
    - Property Damage: \$1,000,000 per occurrence/\$2,000,000 in aggregate
  - 16.2 Automobile Liability (Including owned, on-owned and hired vehicles).
    - Bodily Injury: \$1,000,000 single combined limit
    - Property Damage: \$1,000,000 single combined limit
  - 16.3 Workers' Compensation and Employers' Liability
    - Employers' Liability: \$500,0000 per occurrence/\$1,000,000 in aggregate
    - Statutory limits for Workers' Compensation
  - 16.4 If special hazards, such as might result from blasting, represent a possibility, these shall be covered by a rider to the policy or policies in an amount of not less than \$100,000.
  - 16.5 Prior to the beginning of the Service, etc., to be performed, a certificate of insurance shall be furnished to the School District showing the insurance coverage required above. Contractor agrees to provide to District a certificate of insurance evidencing such coverage and designating District as an additional insured as its interest may appear for both the General and Automobile Liability programs, such certificate to be provided by July 1st of each Contract Year, or on renewal of such policies. All insurance policies shall provide that no coverage shall be canceled except by thirty (30) days' written notice to Contractor and District. Insurer shall maintain a minimum A.M. Best's & Company rating of A or Contractor shall obtain insurance from a company mutually agreed upon between Contractor and District. Upon request, Contractor shall provide District with a certificate of insurance as evidence of having statutory workers' compensation coverage at levels and in forms required by the laws in which Contractor shall operate for this Agreement. The Contractor shall assume full responsibility for loss of life and property, injuries to persons, including all employees of the Contractor or Subcontractors.

General Conditions for Bid

Bid Title: **NPHS Crawford Stadium Sound System Design and Installation** Due Date: **Tuesday, June 8, 2021**

17. HUMAN RELATIONS ACT: The provisions of the Pennsylvania Human Relations Act, Act 222 of October 27, 1955 (P.L. 744) (43 P.S. Section 951 et. seq.) of the Commonwealth of Pennsylvania prohibit discrimination because of race, color, religious creed, ancestry, age, sex, national origin, handicap or disability, by employers, employment agencies, labor organizations, contractors and others. The contractor shall agree to comply with the provisions of this Act as amended that are made part of this specification. Your attention is directed to the language of the Commonwealth's non-discrimination clause in 16 PA Code 349.101.
18. COMPETENT WORKERS: According to Section 752 of the Public School Code of 1949, no person shall be employed to do work under such contract except competent and first class workmen and mechanics. No workmen shall be regarded as competent and first class, within the meaning of this Act, except those who are duly skilled in their respective branches of labor, and who shall be paid not less than such hours by employers of organized labor in doing of similar work in the district where the work is being done.
19. STANDARD OF QUALITY: The various materials and products specified in the specifications by name or description are given to establish a standard of quality and of cost for bid purposes. It is not the intent to limit the acceptance to any one material or product of lesser quality would not be acceptable. Where proprietary names are used, whether or not followed by the words "or as approved equal," they shall be subject to equals only as approved by the architect, engineer and/or School District.
20. COMPLIANCE WITH POLICY/LAW: Contractor shall comply with all policies, procedures and regulations of the District as established and amended from time to time as well as all applicable state and federal laws and regulations, including but not limited to the provisions of the Pennsylvania Right to Know Law, 65 P.S. 67.101 et seq., regarding possession of public records by agency contractors. In the event the District receives a request for access to a public record that is in the possession of Contractor, the District shall notify Contractor of the request and Contractor shall provide the District with the requested record in a timely manner so as to enable District compliance with the Pennsylvania Right to Know Law.
21. ADDENDUMS: If the need arises for an addendum to the bid specifications the district will post the clarification to [www.npenn.org/bidspec](http://www.npenn.org/bidspec) no later than June 2, 2021. It is the responsibility of bidders to ensure all addendums have been reviewed prior to submission of the bid.

**North Penn School District**  
Lansdale, Pennsylvania 19446

**Non-Collusion Affidavit**

**Instructions:**

1. This Non-Collusion Affidavit is material to any contract awarded pursuant to this bid. According to the Pennsylvania Antibid-Rigging Act, 73 P.S. 1611 et sec., governmental agencies may require Non-Collusion Affidavits to be submitted together with bids.
2. This Non-Collusion Affidavit must be executed by the member, officer or employee of the bidder who makes the final decision on prices and the amount quoted in the bid.
3. Bid rigging and other efforts to restrain competition, and the making of false SWORN statement in connection with the submission of bids are unlawful and may be subject to criminal prosecution. The person who signs the Affidavit should examine it carefully before signing and assure himself or herself that each statement is true and accurate, making diligent inquiry, as necessary, of all other persons employed by or associated with the bidder with responsibilities for the associated approval or submission of the bid.
4. In the case of a bid submitted by a joint venture, each party to the venture must be identified in the bid documents, and an Affidavit must be submitted separately on behalf of each party.
5. The term "Complementary Bid" as used in the Affidavit has the meaning commonly associated with that term in the bidding process, and includes the knowing submission of bids higher than the bid of another firm, any intentionally high or non-competitive bid, and any other form of bid submitted for the purpose of giving a false appearance of competition.
6. Failure to file an Affidavit in compliance with these instructions may result in disqualification of the bid.

**Non-Collusion Affidavit**

For Bid for **North Penn High School Crawford Stadium Sound System Design and Installation**

State of \_\_\_\_\_ County of \_\_\_\_\_

I state that I am \_\_\_\_\_ of \_\_\_\_\_

(Title) (Name of my Firm)

and that I am authorized to make this affidavit on behalf of my firm, and its Owners, Directors, and Officers.

I am the person responsible in my firm for price(s) and the amount of this bid.

**I state that:**

1. The price(s) and amount of this bid have been arrived at independently and without consultation, communication or agreement with any other contractor, bidder or potential bidder.
2. Neither the price(s) nor the amount of this bid, and neither the approximate price(s) nor approximate amount of this bid, have been disclosed to any other firm or person who is a bidder or potential bidder, and they will not be disclosed before bid opening.
3. No attempt has been made or will be made to induce any firm or person to refrain from bidding on this contract, or to submit a bid higher than this bid, or to submit any intentionally high or non-competitive bid or other form of competitive bid.
4. The bid of my firm is made in good faith and not pursuant to any agreement or discussion with, or inducement from, any firm or person to submit a complementary or other non-competitive bid.
5. \_\_\_\_\_, its affiliates, subsidiaries, officers, directors, and employees are not currently  
(name of my firm)  
under investigation by any governmental agency and have not in the last four years been convicted or found liable for any act prohibited by State or Federal Law in any jurisdiction, involving conspiracy or collusion with respect to bidding on any public contract, except as follows:

I state that \_\_\_\_\_ understands and acknowledges that the above representations are material  
(name of my firm)  
and important, and will be relied on by North Penn School District in awarding the contract for which this bid is submitted. I understand and my firm understands that any misstatement in this affidavit is and shall be treated as fraudulent concealment from the North Penn School District of the true facts relating to the submission of bids for this contract.

\_\_\_\_\_  
(Name)

and

\_\_\_\_\_  
(Company Position)

SWORN TO AND SUBSCRIBED

BEFORE ME THIS \_\_\_\_\_ DAY

OF \_\_\_\_\_, 20\_\_\_\_\_.

\_\_\_\_\_  
Notary Public

\_\_\_\_\_  
My Commission Expires

**North Penn School District**  
Lansdale, PA 19446

**Vendor's/Contractor's Qualification Statement**

The Undersigned certified under oath the truth and correctness of all statements and of all answers to questions made hereinafter.

Submitted by:	_____	Corporation	_____
Name:	_____	Partnership	_____
Address:	_____	Individual	_____
Principal Office:	_____	Joint Venture	_____
Phone:	_____	Other	_____

1. How many years has your organization been in business as a vendor/contractor?
  
2. How many years has your organization been in business under its present business name?
  
3. If a corporation, answer the following:
  - a. Date of Incorporation: \_\_\_\_\_
  - b. State of Incorporation: \_\_\_\_\_
  - c. President's name: \_\_\_\_\_
  - d. Vice President's name(s): \_\_\_\_\_
  - e. Secretary's or Clerk's name: \_\_\_\_\_
  - f. Treasurer's name: \_\_\_\_\_
  - g. List names and address of all parties holding greater than 10% interest in the corporation.

4. Trade References:

5. Bank References:

6. Name of bonding company and name and address of agent:

7. Dated at

this \_\_\_\_\_ day of \_\_\_\_\_, 20\_\_\_\_\_.

Name of Organization: \_\_\_\_\_

By: \_\_\_\_\_

Title: \_\_\_\_\_

8. \_\_\_\_\_ being duly sworn deposes and says that he/she is the  
\_\_\_\_\_ of Vendor/Contractor and that answers to the foregoing questions  
and all statements therein contained are true and correct.

Subscribed and sworn before me this \_\_\_\_\_ day of \_\_\_\_\_, 20\_\_\_\_\_.

Notary Public:

My commission Expires:

Vendor's Contractor's Qualification State Abbrev.



**North Penn School District**  
Lansdale, PA 19446

**North Penn High School Crawford Stadium Sound System Design and Installation**

North Penn School District is seeking to establish a contract with an established firm that meets all of the criteria as established within the below bid specifications. The qualified bidder will provide design, installation, commissioning, and acceptance testing services of a high-quality audio system.

North Penn School District (NPHS) Crawford stadium is a newly renovated stadium. There are eight, new, owner furnished Community R.5-96MAX Compact, Full-Range, Two-Way, High Output Loudspeakers, mounted on four light standards with two speakers on each the light standard on the visitor and home side. The speakers are mounted on field lighting poles and should be incorporated in the final design. Additional loudspeakers required to achieve the desired performance are to be included within bids. An owner provided equipment rack exists in the pressbox as well as in a data closet in the maintenance amenities building. Dedicated conduit pathways exist from the data closet in the amenities building to the pressbox, light standards, field and the team rooms as per the conduit plan (Attachment B). North Penn School District requires a solution to provide uniform sound reinforcement for spectators in the stands and players on the field. The proposed sound system should be a distributed design with the purpose of providing high intelligibility throughout the venue with no audible anomalies and minimal spillage to surrounding areas.

**Overall Design**

The proposed stadium sound system should include the following minimum features.

**Audio Reinforcement Zones:**

1. Home Bleachers
2. Visitor Bleachers
3. Playing Field
4. Amenities, Concession, and Vendor Areas
5. Assisted Listening (Belt Pack and App Based)
6. Interior of structures via interface with existing ceiling mounted voice paging speakers

**Audio Inputs:**

- Four (4) wireless microphone channels with coverage throughout the playing field area
- Pressbox Location (Game operator's compartment)
  - Two (2) balanced XLR Microphone level inputs
  - One (1) balanced XLR line level input
  - One (1) 1/8" stereo line level input
  - Bluetooth Connection
- Home Side 50 Yard line I/O Box
  - 2 XLR input Connections
  - 2 XLR Line Level Output Connections
  - Bluetooth Connection
- Media Production I/O in Pressbox location (Broadcast compartment)
  - Two (2) balanced XLR line level inputs

**Audio Outputs:**

- Audio reinforcement zones as listed
- Media Production I/O
  - One (1) XLR line level output to Pressbox location (Broadcast compartment)

**System Control Interfaces:**

- Pressbox Location (Game operator's compartment)
  - Volume Control of wireless microphone and localized inputs
  - Mode switching
- Data closet of amenities building

- Global volume control
- Mode switching
- Network Accessible GUI
  - Input volume control
  - Mode Switching

#### Equipment Specification

- System components should utilize the Audinate DANTE protocol for signal transmission to the extent practical.
- Amplifiers should be by Crown, QSC, or approved alternative of similar quality
- System processing (DSP) should be by Biamp or approved alternative of professional quality designed for performance audio systems.
- Wireless microphone systems including transmitters, receivers, and antennas should be Sennheiser.
- Loudspeakers should be by Community (Biamp), JBL, QSC, or approved alternative and designed for use in outdoor, all weather areas. See drawing Stadium Light Post Mounting Brackets (Attachment C)
- Assisted Listening system should be Williams AV WaveCast - WF SY5 PRO-24 D.

Bidder is responsible for specifying any additional loudspeakers and locations to provide full coverage of stadium zones.

#### System Functionality & Capabilities

The Crawford Stadium Sound System must provide undistorted uniform audio coverage of the zones listed above. The use and control of the sound system will allow volume level adjustment by input and by zone from the Pressbox (Game operator's compartment) and from the amenities building data closet. Wireless Microphone coverage area will include the entirety of the playing field.

#### Scope of Work & Additional Requirements

- Bids should reflect a complete system. Additional items not listed above including but not limited to equipment, cable, mounts, and interface devices should be specified by the respondent as needed.
- Bids shall include design, installation, commissioning, and acceptance testing. Installation includes the adjustment of owner provided loudspeakers if necessary.
- Bids should include a formal, structured, in-person technical training of NPSD audio visual staff on the operation of all system components to be conducted after final acceptance testing.
- Bids should include the manufacturer's warranty on all equipment and a minimum one-year warranty on system installation from the date of final acceptance.
- Bids should include up to three additional site visits for audio balancing and refinement, to be scheduled at the request of the District within one year of system acceptance.
- The successful bidder is expected to plan and conduct all site work with minimal impact to daily operations of the District and minimal impact to District staff. District IT staff will work closely with the bidder to create a working project plan that will achieve these goals.
- Equipment rentals, including lifts, are the responsibility of the bidder.

**North Penn School District**  
Lansdale, PA 19446

**Bid Proposal Form**

**North Penn High School Crawford Stadium Sound System Design and Installation**

We, the undersigned, have reviewed the specifications herein for the supply of the above listed item(s). We propose to furnish and deliver all materials and accessories to complete the work, in accordance with the attached Bid Specifications and General Conditions. We understand that the North Penn School District reserves the right to reject or accept any or all bids or any portion thereof and to waive any informalities permitted by law.

Company Name		Date
Company Address		
Authorized Signature	Printed Name	Title
Phone Number	Fax Number	Email Address

	<b>Bid Amount</b>
<b>North Penn High School Crawford Stadium Sound System Design and Installation</b>	

**A MANDATORY PREBID ONSITE VISIT WILL OCCUR ON TUESDAY JUNE 1<sup>st</sup> 2:30PM, PLEASE SEE ATTACHMENT A FOR DIRECTIONS TO THE MEETING SITE.**

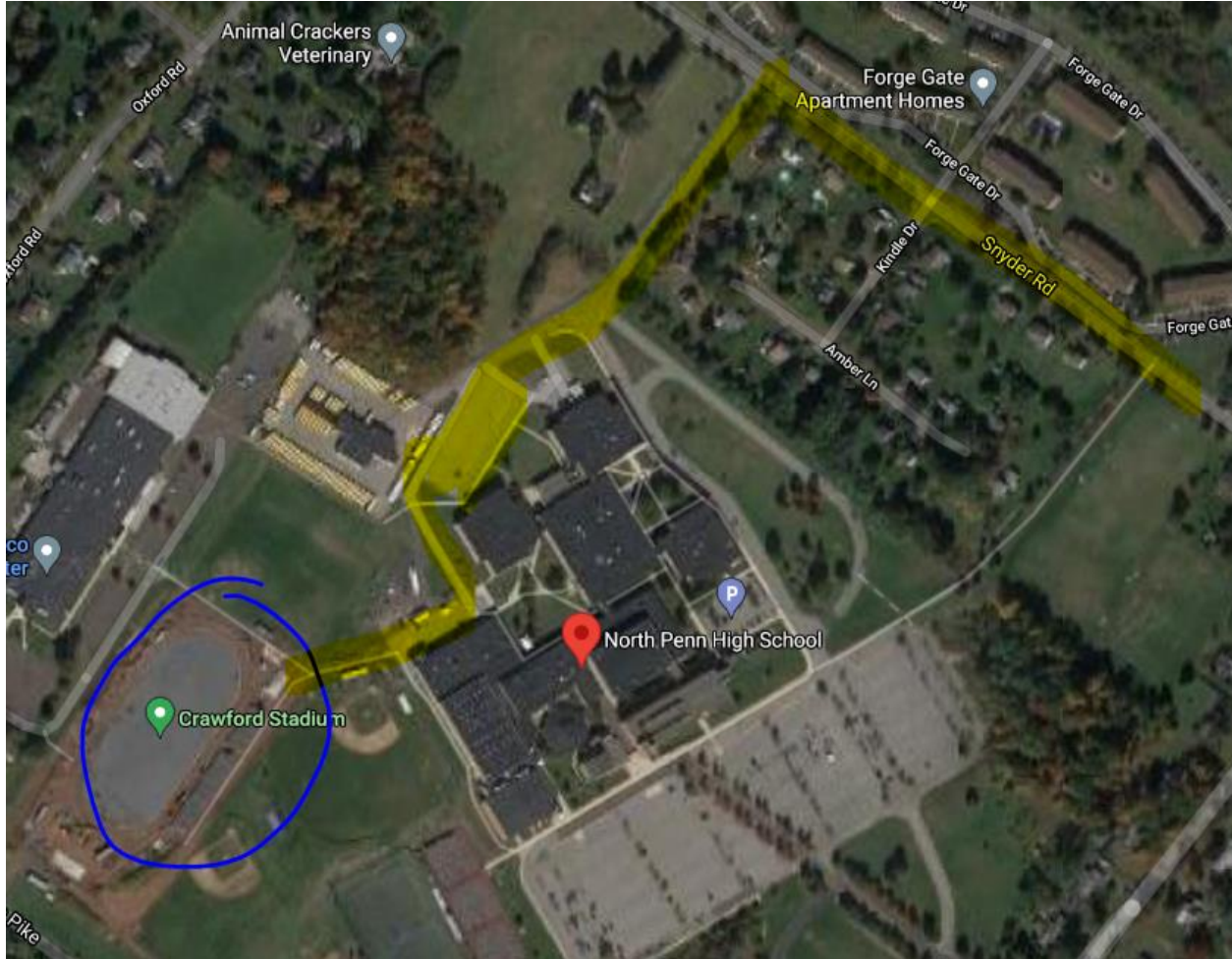
**ANTICIPATED BID AWARD WILL BE JUNE 17, 2021.**

**ALL WORK MUST BE COMPLETED BY AUGUST 6, 2021. IF YOU CANNOT MEET THIS REQUIREMENT, PLEASE INDICATE IN THE BID THE EXPECTED COMPLETION DATE.**

**North Penn School District**  
Lansdale, Pennsylvania 19446

ATTACHMENT A

**A MANDATORY PREBID ONSITE VISIT WILL OCCUR ON TUESDAY JUNE 1<sup>st</sup> 2:30PM.**



**Please access the property via Snyder Road. The Prebid meeting will occur at the stadium, circled in blue. Please park in the highlighted parking lot.**



**North Penn School District**  
Lansdale, Pennsylvania 19446

ATTACHMENT C

guaranteed light levels.

Additional Items	
F1, F2, F3, F4	Auxiliary mounting brackets with 2-position crossarm with trunnion attachment • Mounting heights @ 45 ft • Orientation @ 0 degrees
F1, F2	Auxiliary mounting brackets with 2-position crossarm with trunnion attachment • Mounting heights @ 36 ft • Orientation @ 0 degrees
F3, F4	Auxiliary mounting brackets with 2-position crossarm with trunnion attachment • Mounting heights @ 40 ft • Orientation @ 0 degrees
F3, F4	Coupling for security camera (camera not provided) • Mounting heights @ 25 ft • Orientation @ 0 degrees
F3, F4	Coupling for Wireless Access Point • Mounting heights @ 20 ft • Orientation @ 0 degrees

**3. Owner Coordination:**

- a. In the submitted Bill of Materials, additional items (pages 7, 37, 38 of 61) shall be coordinated and reviewed by the Owner. Provide cutsheets and mounting information for Owner review. Provide other openings and hardware for devices noted on drawings E100, notes N2 through N5. Coordinate/provide the following at each pole supply:
- i. At 45' a bracket for 2 or 4 speakers (as coordinated with Owner).
  - ii. At 25' a 1" threaded opening (with cover) for future camera.
  - iii. At 20' a 1" threaded opening (with cover) for future WAP.
  - iv. At 15' a 1" threaded opening (with cover) for future sound system antenna.
  - v. At 10.5' a 1" threaded opening (with cover) for future communications enclosure.

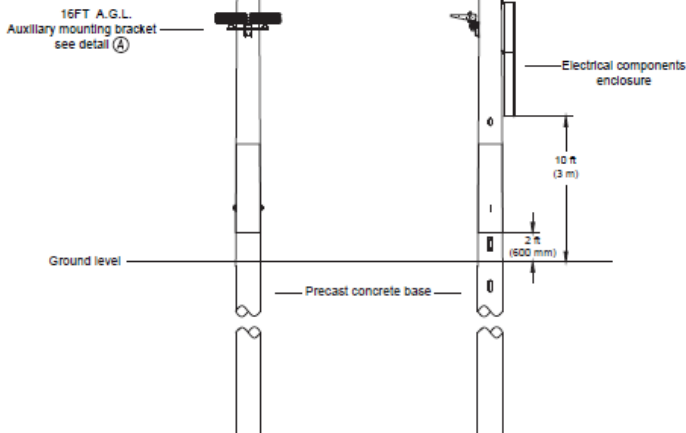
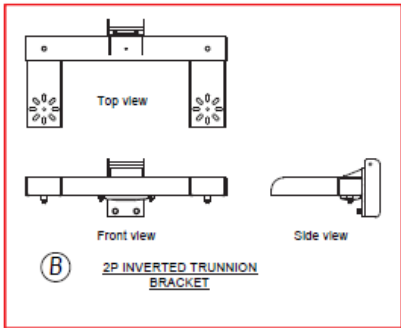
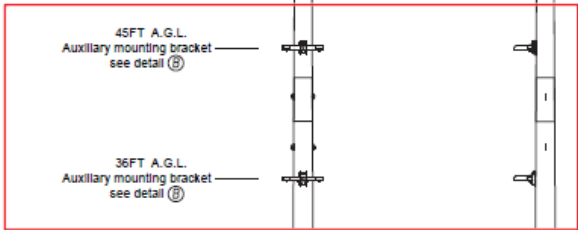
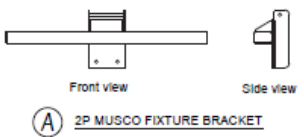


M-1911-enUS-9

North Penn High School Football Stadium, Project # 151993

See Notes on Drawing for  
 1. Pole(s) - 1 pole  
 2. Pole(s) - 2 poles

**3. Owner Coordination:**  
 a. In the submitted Bill of Materials, additional items (pages 7, 37, 38 of 61) shall be coordinated and reviewed by the Owner. Provide cutsheets and mounting information for Owner review. Provide other openings and hardware for devices noted on drawings: E100, notes N2 through N5. Coordinate/provide the following at each pole supply:  
 i. At 45' a bracket for 2 or 4 speakers (as coordinated with Owner).  
 ii. At 25' a 1" threaded opening (with cover) for future camera.  
 iii. At 20' a 1" threaded opening (with cover) for future WAP.  
 iv. At 15' a 1" threaded opening (with cover) for future sound system antenna.  
 v. At 10.5' a 1" threaded opening (with cover) for future communications enclosure.

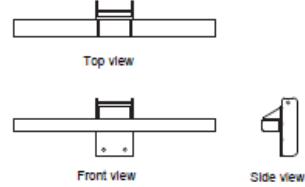
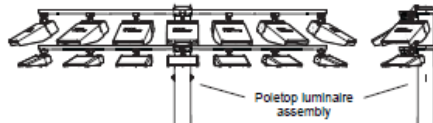


**POLE(S): F1 / F2**  
 Musco 80FT Light-Structure System -pole  
 TLC for LED -luminaires

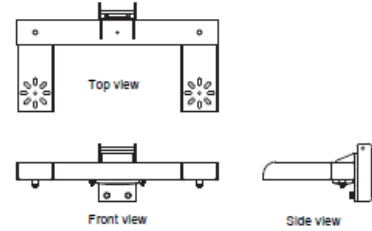


Musco Lighting Inc. 2015. All rights reserved. Musco Lighting Inc. is a registered trademark of Musco Lighting Inc.

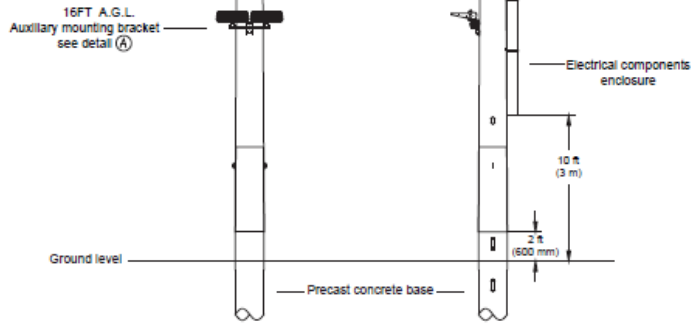
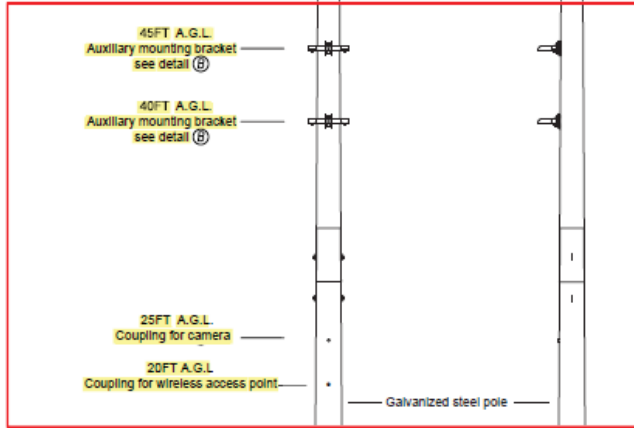
- 3. Owner Coordination:**
- a. In the submitted Bill of Materials, additional items (pages 7, 37, 38 of 61) shall be coordinated and reviewed by the Owner. Provide cutsheets and mounting information for Owner review. Provide other openings and hardware for devices noted on drawings E100, notes N2 through N5. Coordinate/provide the following at each pole supply:
    - i. At 45' a bracket for 2 or 4 speakers (as coordinated with Owner).
    - ii. At 25' a 1" threaded opening (with cover) for future camera.
    - iii. At 20' a 1" threaded opening (with cover) for future WAP.
    - iv. At 15' a 1" threaded opening (with cover) for future sound system antenna.
    - v. At 10.5' a 1" threaded opening (with cover) for future communications enclosure.



(A) 2P MUSCO FIXTURE BRACKET



(B) 2P INVERTED TRUNNION BRACKET



POLE(S): F3 / F4

Musco 90FT Light-Structure System • pole  
TLC for LED • luminaires